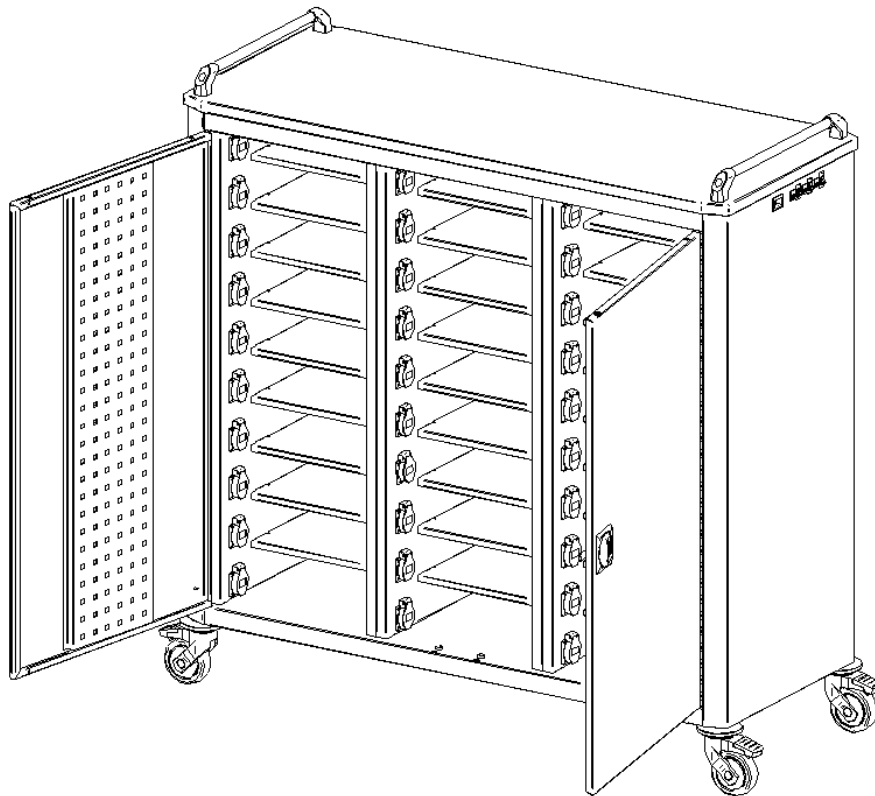


## Accompanying documentation

### The cart for charging of electrical appliances



## 1. Table of contents:

|     |  |   |
|-----|--|---|
| 1.  | Table of contents: .....   | 2 |
| 2.  | Contact .....  | 3 |
| 3.  | Important notice .....   | 3 |
| 4.  | Introduction .....   | 3 |
| 5.  | Description of charging cart.....                                | 4 |
| 6.  | Installation .....   | 4 |
| 7.  | Commissioning.....   | 4 |
| 8.  | Maintenance .....  | 5 |
| 9.  | The method of use and definition of the environment of use ..... | 5 |
| 10. | Possible breakdowns .....  | 5 |
| 11. | Warranty period.....   | 5 |
| 12. | Disposal .....   | 5 |
| 13. | Inspections .....  | 6 |
| 14. | Technical specifications .....                                   | 6 |
| 15. | Wiring diagram of the charging cart.....                         | 7 |

## 2. Contact

### Manufacturer:

ALFA 3, s. r. o.  
Husova 263  
538 54 Luže  
[www.alfa3.cz](http://www.alfa3.cz)

## 3. Important notice



Before using the device, read this accompanying documentation with important information carefully and keep it for future reference.



The charging cart is an electrical device. Do not connect electrical appliances to the sockets located in the charging cart when the socket is damaged. Report a damaged socket to the owner of the charging cart. The charging cart may be only repaired by a service/manufacturer or a suitably qualified electrician.

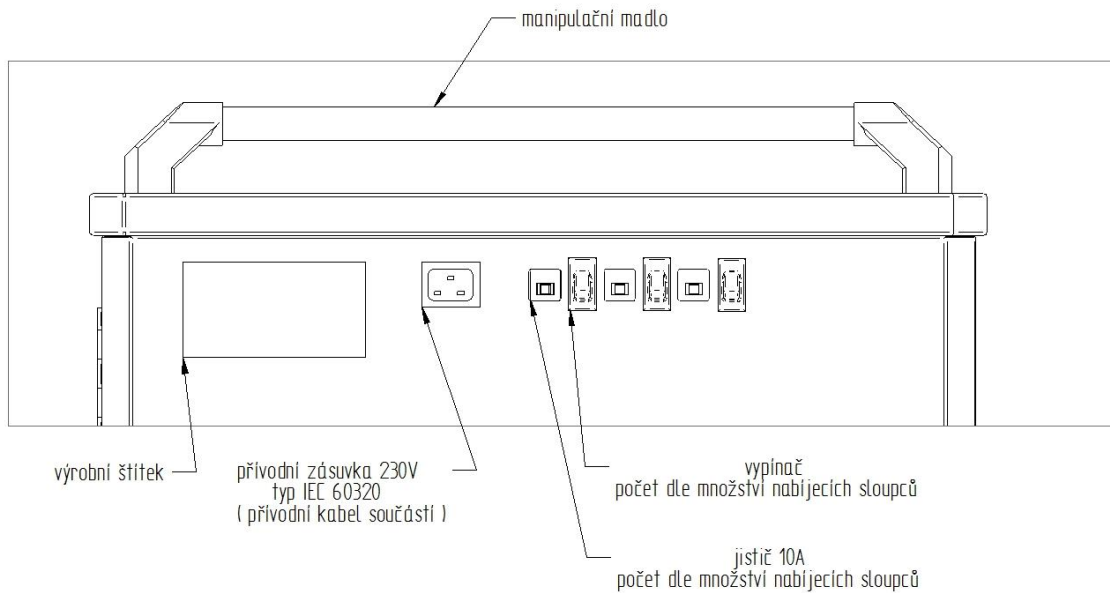
**The charging cart should be powered from a socket that is protected by a residual-current device with tripping current of 30mA.**

**It is strictly forbidden to interfere with the electrical connection of the charging cart!!!**

## 4. Introduction

It is a steel mobile cabinet, which is offered in the variants with 10, 20 or 30 bays. Each bay is equipped with one 230V socket with a maximum power input of 150W. Each column with 10 sockets is protected by an automatic fuse with a value of 10A. The power supply of the sockets in each column can be switched off using respective rocker switch. The power supply is connected using the supplied power cable with connector to the panel connector that is located on the side of the cabinet together with automatic fuses and rocker switches.

## 5. Description of charging cart



## 6. Installation

Simply connect the charging cart using the flexible power cable included in the delivery. No special tools or special interventions are required to complete the installation. Set the charging cart in the required position and place, connect the power cable to the charging cart and then the mains plug of the power cable to the appropriate mains socket (specifications: 16A/230V AC 50Hz). The mains socket should be equipped with residual-current device with residual current of 30 mA.



### Observe the following instructions during installation:

- Only place the device on a stable and firm floor. Do not forget that the cart is equipped with casters!!!
- The power cable should be positioned so as to prevent tripping over it by people staying near the charging cart, as this could result in fall and even in an injury !!!
- The charging cart has a degree of protection of IP30 (IP20) and can therefore only be installed indoors in a standing position, namely in a dust-free environment with guaranteed air circulation. The cart should not be operated at ambient temperatures above 35°C, as this may cause local overheating and damage to the device for which the manufacturer cannot be held responsible.

## 7. Commissioning

Once the charging cart is connected to the mains via a plug, it is possible to switch on the power supply to the internal sockets using the rocker switches located on the left side of the cart. The first rocker switch located on the left is used to turn on the sockets of the first column from the left. The second switch is for the second column, etc. Subsequently, it is possible to connect electrical appliances (max. 150W) to the sockets in the individual columns of the charging cart.

## 8. Maintenance

Before carrying out any maintenance work, the charging cart should be disconnected from the power supply by unplugging it from the mains. The charging cart can be wiped with a damp cloth soaked with clean water or a dry cloth. It is possible to use common cleaning agents.



**It is strictly forbidden to use water stream or jet to wash or rinse the device.**

## 9. The method of use and definition of the environment of use

The charging cart is designed for storing and charging of electrical appliances. The maximum power consumption of one socket is 150W. The charging cart is an electrical device designed for the interior (indoor environment). The installation environment should be ventilated or air-conditioned, the temperature should not fall below 5°C and exceed 35°C. Furthermore, the cart should not be placed in an environment with increased occurrence of water. There should be no dripping or splashing water in the vicinity of the cart.

## 10. Possible breakdowns

If any of the socket in respective column is overloaded, the relevant circuit breaker trips. Operator should disconnect all the devices connected to the sockets of the given column and try to reset the relevant circuit breaker. If the circuit breaker does not trip again, it means that too many devices were connected to the sockets in the column, with too high load. So, the operator should connect a smaller number of devices in respective column. But if the circuit breaker trips again without any devices connected, there is a fault in the electrical installation. In such case, contact the service/manufacturer or the repair should be carried out by a qualified electrician.



If the cover or insulation of the power cord, power connector, socket, rocker switch or circuit breaker are damaged, immediately disconnect the power cord from the power supply. The power cable may be replaced by an operator without electrical qualification. Other faults should be rectified by a suitably qualified electrician. The charging cart should be taken out of service until the faults are rectified.

## 11. Warranty period

The manufacturer provides the end customer with a warranty period of 24 months from the date of purchase.

## 12. Disposal



At the end of the service life of the charging cart, the consumer/owner is obliged to carry out ecological disposal or hand over the product at a collection yard, namely in compliance with local regulations.



The product is completely made of recyclable materials.

### 13. Inspections

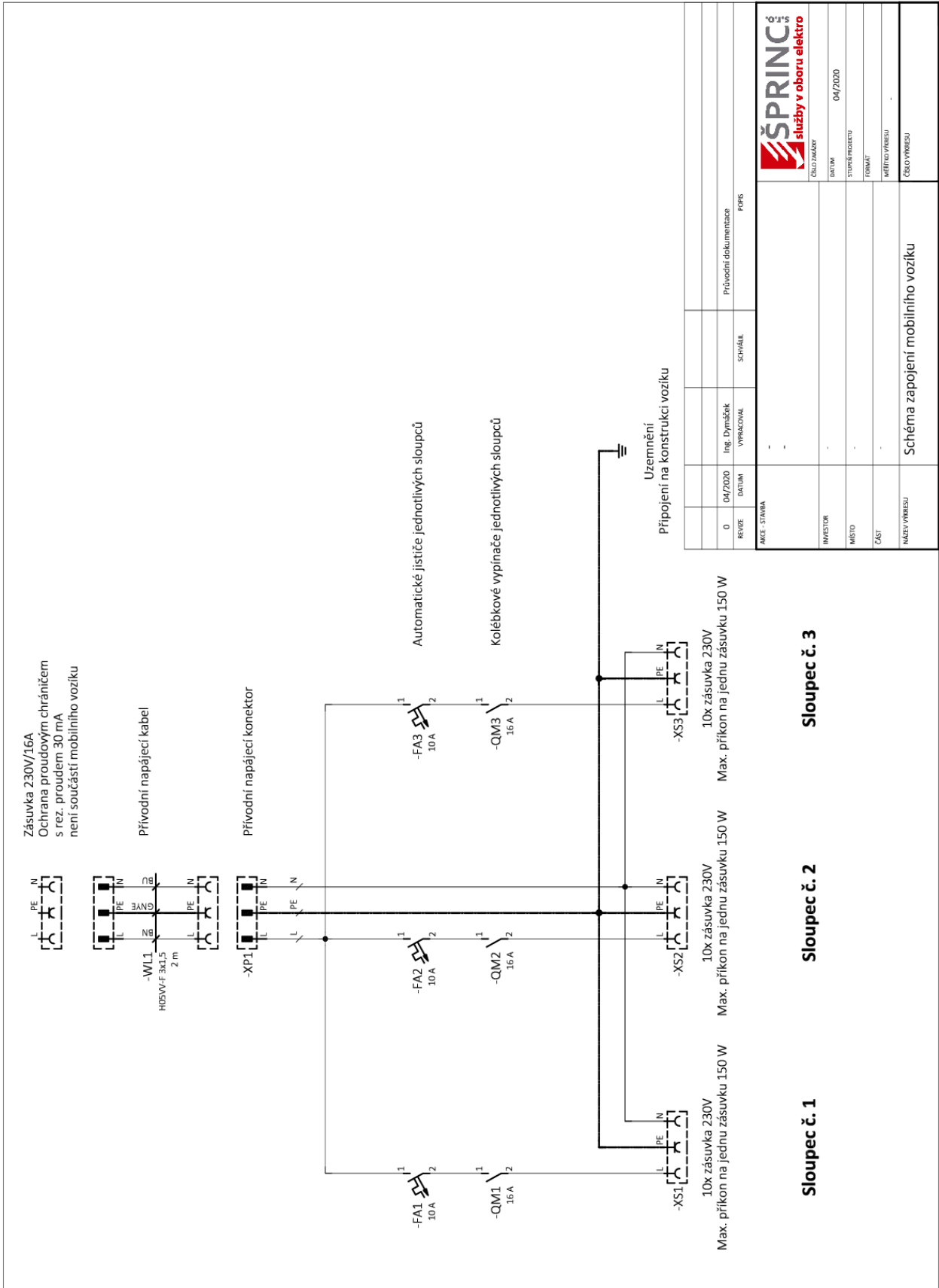
The charging cart should undergo regular inspections according to the deadlines set by local legislation and relevant standards.

### 14. Technical specifications

| Type                               | CC 40 1 10 M | CC 40 2 10 M | CC 40 3 10 M |
|------------------------------------|--------------|--------------|--------------|
| No. of el. sockets 230V            | 10           | 20           | 30           |
| Height (mm)                        | 1340         | 1340         | 1340         |
| Width (mm)                         | 515          | 915          | 1315         |
| Depth (mm)                         | 540          | 540          | 540          |
| Weight (kg)                        | 45           | 86           | 124          |
| Nominal current                    | 16A          |              |              |
| Current through a module (10 soc.) | 10 A         |              |              |
| Nominal voltage (V)                | 230V AC      |              |              |
| Rating                             | IP 30/20     |              |              |
| Max. length of power cable         | 2 m          |              |              |

# 15. Wiring diagram of the charging cart

©ŠPRINC s.r.o. Tento výres je důležitým výstřihem ŠPRINC s.r.o. Nesmí být rozmnožován, uložován ani předán třetí straně bez písemného souhlasu ŠPRINC s.r.o.



|                                  |   |                 |              |            |                      |
|----------------------------------|---|-----------------|--------------|------------|----------------------|
| AKCE / STAVBA                    |   | PROJEKTANT      | Ing. Dymářek | PROJEKT    | PRŮVODNÍ DOKUMENTACE |
| REVIZE                           | 0 | DATA            | 04/2020      | VYPRACOVAL | SCHABAL              |
| INVESTOR                         |   | OBJEDNATEL      |              | POPIS      |                      |
| MÍSTO                            |   | STUPEŇ PROJEKTU | 04/2020      |            |                      |
| ČÁST                             |   | FORMÁT          |              |            |                      |
| NÁZEV VÝKRESU                    |   | MĚŘÍTKO VÝKRESU |              |            |                      |
|                                  |   | ČÍSLO VÝKRESU   |              |            |                      |
| Schéma zapojení mobilního vozíku |   |                 |              |            |                      |

**ŠPRINC**  
služby v oboru elektro

VÝKRESOVÝ LIST ČSN EN ISO 5457 – A3T